

4

3

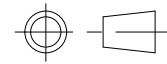
2

1

NOTES:

1. VIOLET WIRE IS CUT OFF ON BOTH ENDS.

THIRD ANGLE PROJECTION



DOCUMENT REVISIONS

REV	DESCRIPTION	CO NO.	DATE	CHG/CHK
1	INITIAL RELEASE	---	01/24/24	RLE/WJL

C

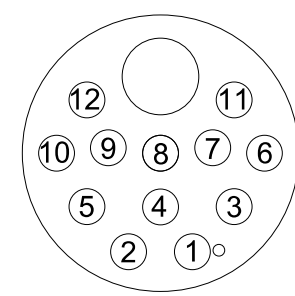
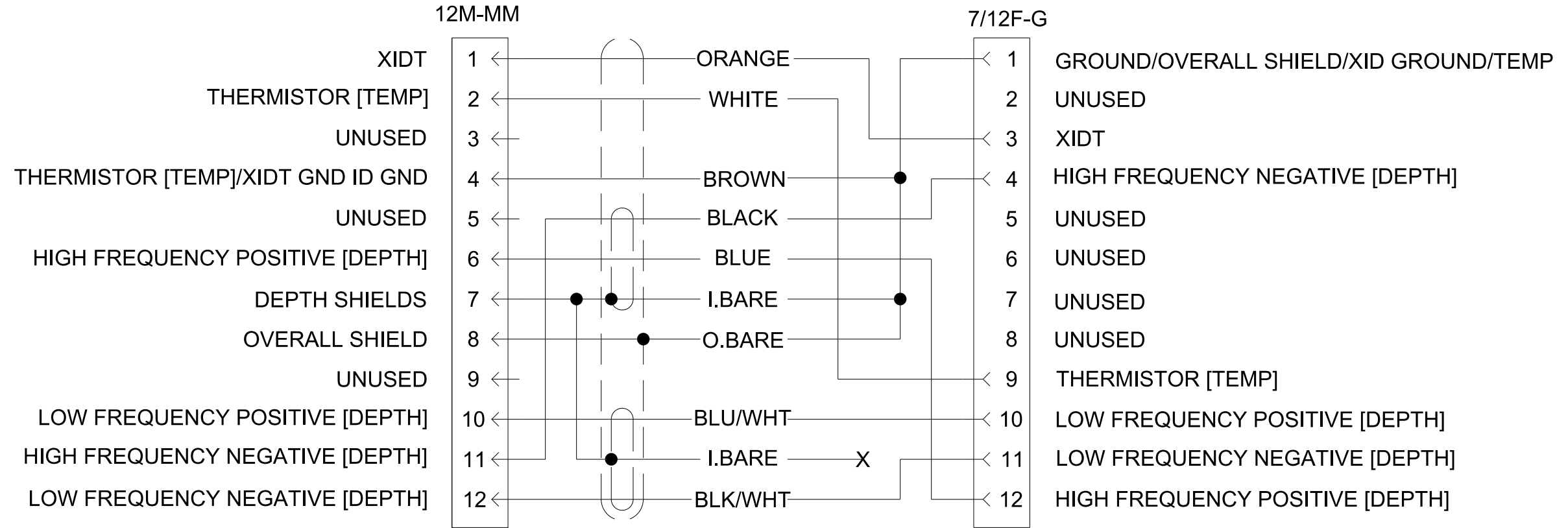
C

B

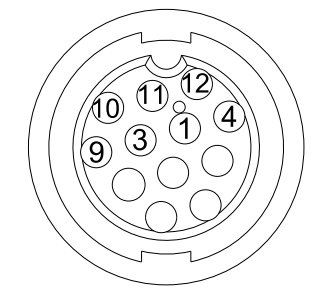
B

A

A



CONTACT END VIEW
12 PIN MALE



CONTACT END VIEW
7/12 FEMALE GARMIN

PART NUMBER	N/A	P/N REV	N/A
-------------	-----	---------	-----

UNLESS OTHERWISE SPECIFIED	SIGNATURE	DATE
DIMENSIONS ARE IN INCHES	DRAWN: R.EVANS	04/26/22
TOLERANCES ON	CHECKED: I.ROBB	12/26/23
2 PL DECIMALS: ±0.02	APPROVED: W.LETENDRE	01/02/24
3 PL DECIMALS: ±0.005		
ANGLES: ±1/2°		
FRACTIONS: ±1/16		
SURFACE FINISH: √63		

AIRMAR
 AIRMAR TECHNOLOGY CORPORATION
 35 MEADOWBROOK DR
 MILFORD NH 03055-4613 USA
 TEL: 603-673-9570 FAX: 603-673-4624

TITLE
**WIRING, CBL ASSEMBLY, C334
 12M-MM & 7/12F-G**

MATERIAL
AS NOTED

SIZE	SCALE: NONE	DOC NUMBER	DOC REV
B	SHEET 1 OF 1	D-20634	1

THIS DOCUMENT AND THE DATA DISCLOSED HEREIN OR HEREWITH IS NOT TO BE REPRODUCED, USED, OR DISCLOSED IN WHOLE OR IN PART TO ANYONE WITHOUT THE PERMISSION OF AIRMAR

CRITICAL DIMENSIONS (REF) DO NOT SCALE DRAWING

4

3

2

1